



CS150 LIGHT DUTY ONLINE CONDUCTIVITY SENSOR

PRODUCT SPECIFICATION SHEET



Ideal for laboratory and light duty process applications

Available with or without ATC (temperature sensor)

Easy to submerge in a tank or mount inline in a pipe

Cell constant choices of 0.1 or 1.0

Compatible with most portable and benchtop meters

The CS150 and CS150TC conductivity probes are a cost effective solution for measuring conductivity in light industrial and laboratory applications.

Sensors feature measuring surfaces. The durable epoxy body construction provides a rugged and dependable sensor for portable and laboratory use. Suitable for use with most portable conductivity meters.

By adding a simple mounting gland fitting, customers may use these in process applications. Mount them in-line, in a pipe "T" fitting, or submerge them into a tank.

SPECIFICATIONS

Cell Constants Available	k=0.1, k=1.0
Measuring Surface	Graphite
Body Material	Epoxy
Max Temperature	0-70°C
Max Pressure	100 psig (7.5 Bar)
Temp Comp	Optional; select from PT1000RTD or 10K NTC
Cable	22 AWG 2-wire or 4-wire (if using Automatic Temp Comp) 30 inch standard length unless otherwise specified

PARTS COVERED BY THIS PRODUCT DATA SHEET INCLUDE:
CS150, CS150TC, CS200, CS200TC

DESIGNED AND ASSEMBLED IN CALIFORNIA, USA

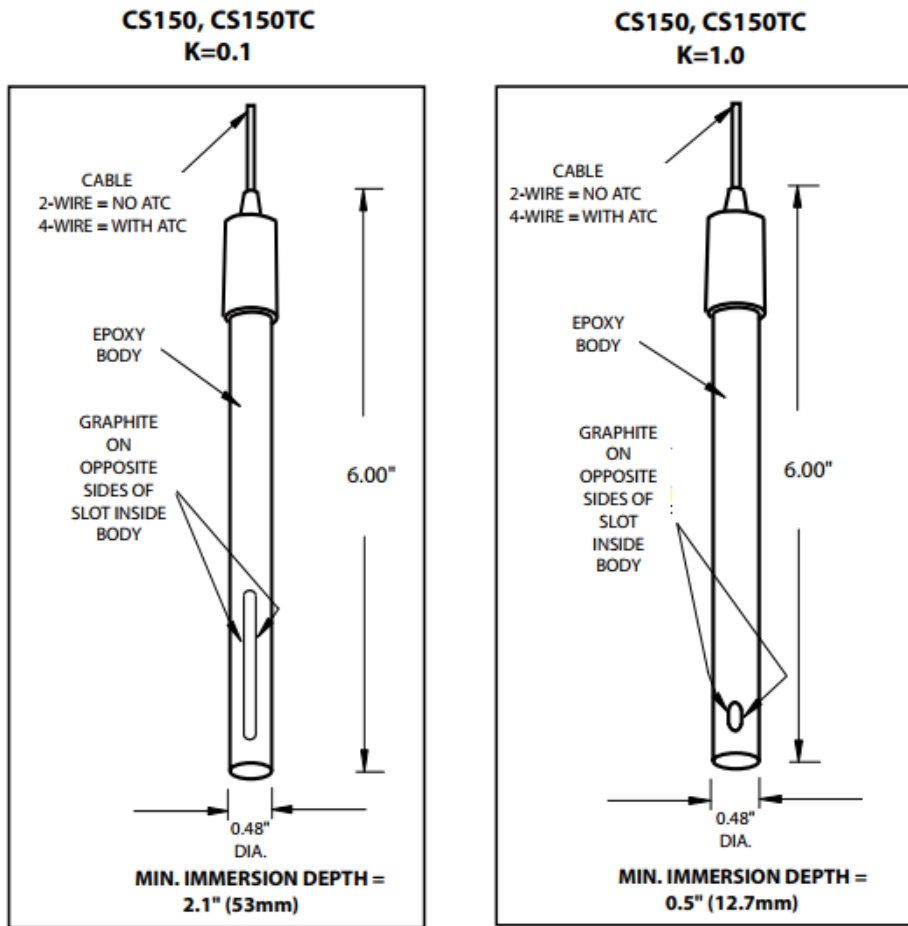
11751 MARKON DRIVE • GARDEN GROVE, CA 92841 • 714.895.4344 • WWW.SENSOREX.COM

© Sensorex Corporation. All rights reserved. In the interest of improving and updating its equipment, Sensorex reserves the right to alter specifications to equipment at any time.

CS150 LIGHT DUTY ONLINE CONDUCTIVITY SENSOR

PRODUCT SPECIFICATION SHEET

OUTLINE DRAWINGS



ORDERING INFORMATION

Sensors

CS150 Graphite Conductivity sensor. Specify cell constant and cable length when ordering.

CS150TC Graphite Conductivity sensor with ATC. Specify cell constant, cable length and temperature sensor (PT1000RTD or 10K NTC) when ordering.

Note: Sensors are supplied with 30 inch cable unless otherwise specified. Longer cable lengths and other connectors are available upon request.

Additional hardware for in-line mounting

FC50P In line mounting gland for 1/2" NPT mount

FC75P In line mounting gland for 3/4" NPT mount

DESIGNED AND ASSEMBLED IN CALIFORNIA, USA

11751 MARKON DRIVE • GARDEN GROVE, CA 92841 • 714.895.4344 • WWW.SENSOREX.COM

© Sensorex Corporation. All rights reserved. In the interest of improving and updating its equipment, Sensorex reserves the right to alter specifications to equipment at any time.